

High Wall Unit

BRIA[®]

Hydronic Terminal Unit High Wall



BHUTORIA

High Wall Unit

BRIA[®]

Available Capacity

7 Models

0.75ton/300cfm

to

3.00ton/1050cfm



BHUTORIA[®]

High Wall Unit

BRIA®

2 row coil &
3 row coil options



BHUTORIA

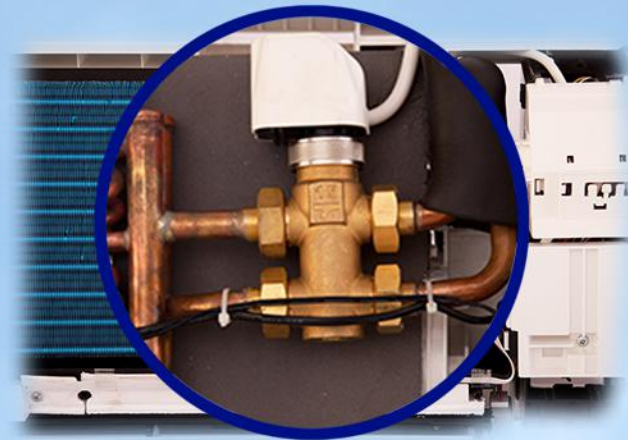
High Wall Unit

BRIA®



Valve package assembly

2 way control valve
3 way control valve



BHUTORIA

High Wall Unit

BRIA[®]



Valve package assembly

- 2 way control valve
- 3 way control valve
- 2 way PIBCV
- 6 way PIBCV

BHUTORIA[®]

High Wall Unit

BRIA®

6 way PIBC valve



1st
time
in India

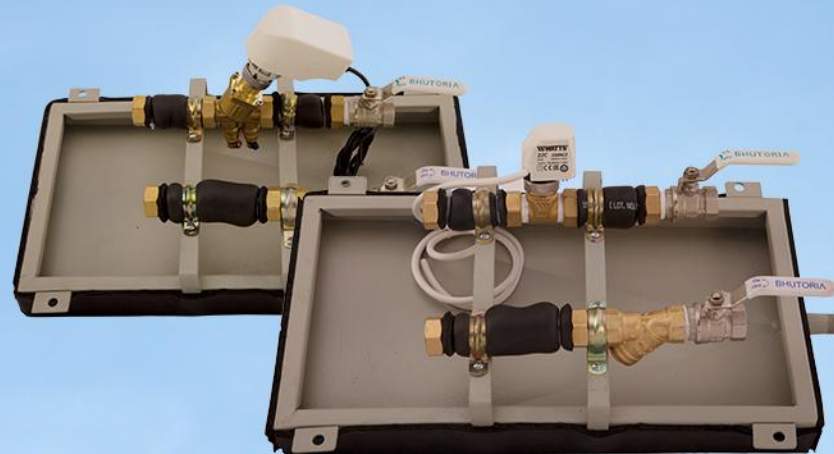


BHUTORIA

High Wall Unit

BRIA®

Modulation actuator and on-off actuator



BHUTORIA

High Wall Unit

BRIA®

External drain pump

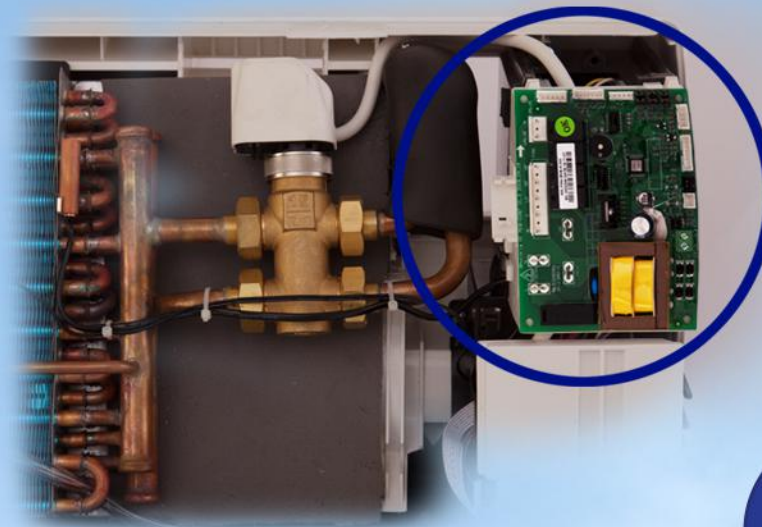


BHUTORIA

High Wall Unit

BRIA®

Modulation function integrated
in the PCB inside the unit



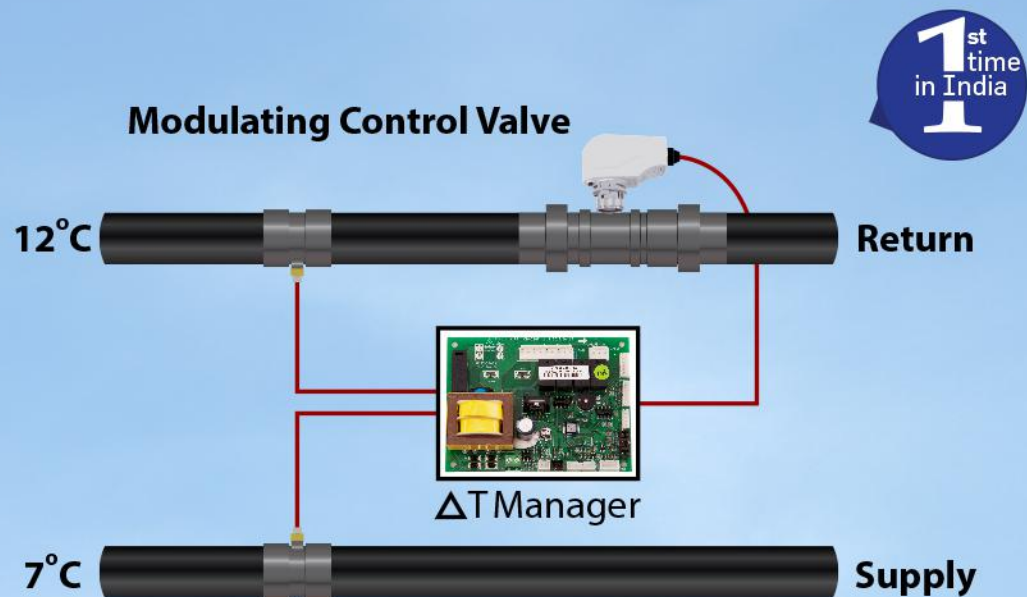
1st
time
in India

BHUTORIA

High Wall Unit

BRIA®

Delta T manager



BHUTORIA

High Wall Unit

BRIA®

OSA feature
(on site adjustable)



1st
time
in India

BHUTORIA

High Wall Unit

BRIA[®]

District Cooling Design



High Delta T coil

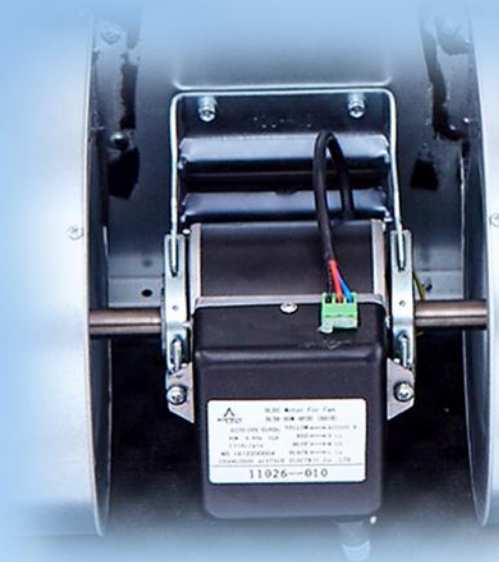


BHUTORIA

High Wall Unit

BRIA®

BLDC/EC Motor & AC Motor options

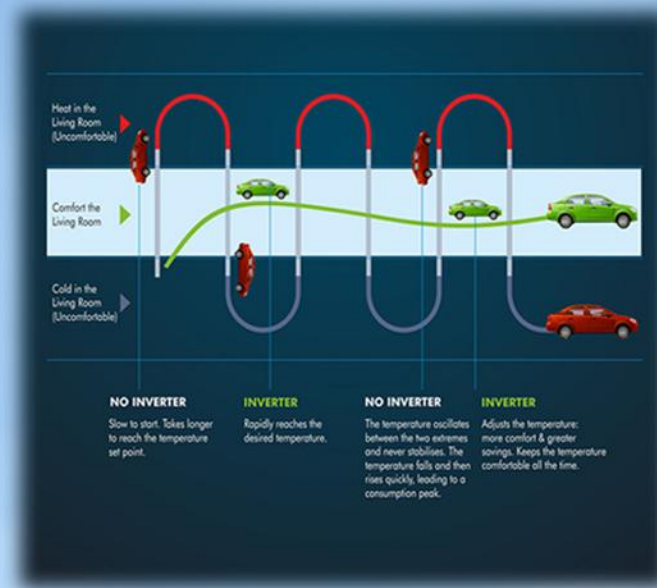


BHUTORIA

High Wall Unit

BRIA®

BLDC/EC Motor & AC Motor options



BHUTORIA

High Wall Unit

BRIA®

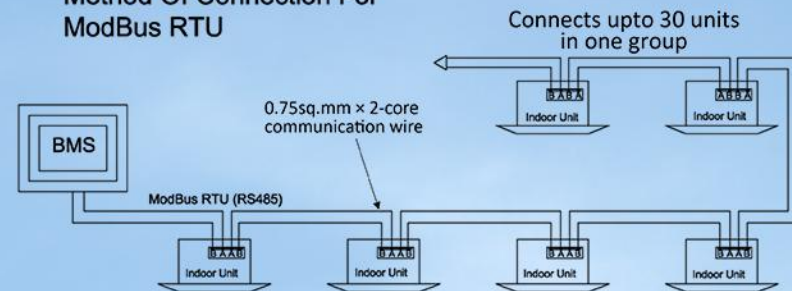
BMS Compatible



Network Structures

1. Open ModBus Protocol

Method Of Connection For ModBus RTU



Connects multiple such groups of 30 units per groups to BMS.
(one network adaptor is required for each unit to make it compatible for above network structure)

BHUTORIA

High Wall Unit

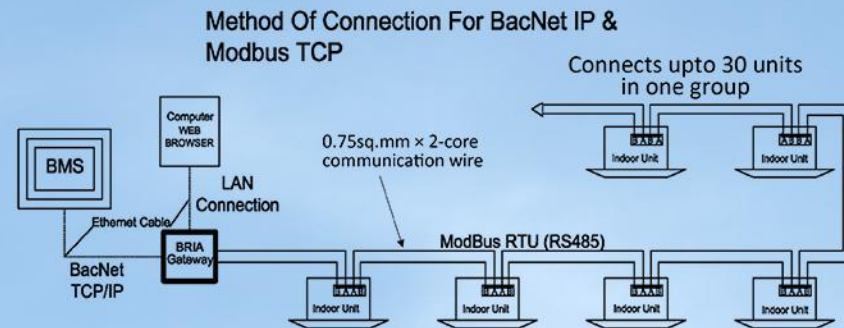
BRIA®

BMS Compatible



Network Structures

2. BacNetIP/TCP cum Modbus TCP



Connects upto 4 groups of 30 units with one **BRIA Gateway** and further connect to your BMS system or connects to your computer and monitor using web browser **BRIA Gateway** can also be used for Modbus RTU connection for upto 3 groups of 30 units with one Gateway.
(one network adaptor is required for each unit to make it compatible for above network structure)

BHUTORIA

High Wall Unit

BRIA®

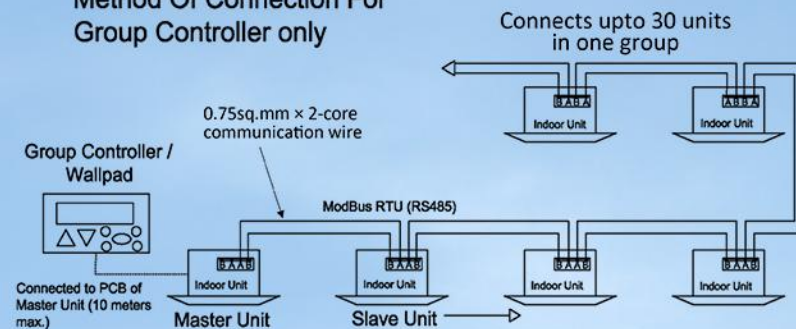
BMS Compatible



Network Structures

3. Centralized Group Controller

Method Of Connection For Group Controller only



Connects upto 30 units with one **Group Controller / Wallpad**, able to set parameters of individual units in one group Set temperature locking function with **Wallpad** (standard 27degC; can be changed as per requirement)

Connects **Group controller / Wallpad** with PCB of **Master unit** of the Group.
(one network adaptor is required for each unit to make it compatible for above network structure)

BHUTORIA

High Wall Unit

BRIA®

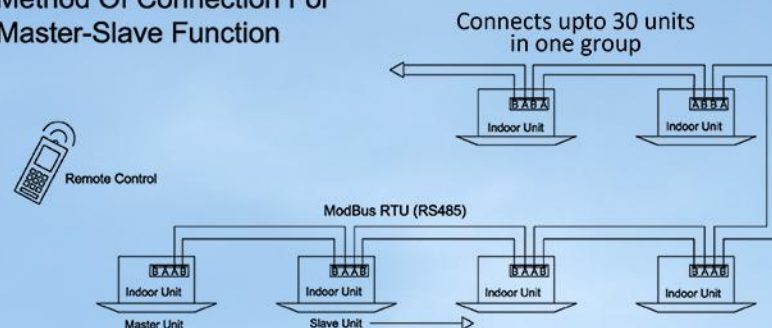
BMS Compatible



Network Structures

4. Master-Slave Function

Method Of Connection For Master-Slave Function



Connect upto 30 units in one group, making one unit as **Master unit** and other units as **Slave unit**.

All Slave units will follow master unit if any changes of parameter is made in master unit
(one network adaptor is required for each unit to make it compatible for above network structure)

BHUTORIA

High Wall Unit

BRIA®

BMS Compatible



Additional Features

BRIA Touch Gateway

Group Controller + Gateway



Web Monitoring

Ethernet Connection



- ✓ Bacnet IP
- ✓ Modbus TCP
- ✓ Modbus RTU

- Gateway for **Bacnet IP**, connect upto 120 units
- Gateway for **Modbus TCP** connect upto 120 units
- Gateway for **Modbus RTU** connect upto 90 units
- Group controller with **HDMI touchscreen** and user friendly interface for individual or group control upto 120 units
- Easy **Web monitoring** with your PC, no need of any additional charges for software
- **User friendly interface** which can be customised to match your requirements
- **Get real time status** for individual unit online

BHUTORIA

High Wall Unit

BRIA®

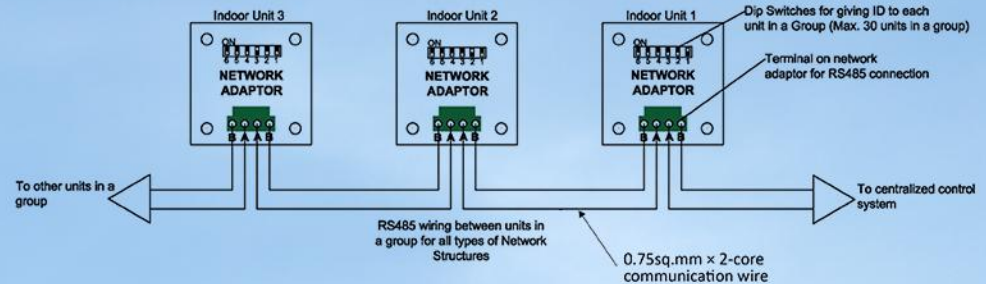
BMS Compatible



Wiring Instruction

Wiring for RS485 between units in a Group

RS485 connection between units in a group and setting ID for each unit



Above connection would be same in a group for every network structures Connects upto to 30 units in group Set each units in a group with different ID using "Dip Switches"
(one network adaptor is required for each unit in all of above network structures)

BHUTORIA

