

6 way Cassette

BRIA[®]

Hydronic Terminal Unit

Six way cassette



1st
time
in India

BHUTORIA[®]

Six way cassette



BRIA[®]

European design
fits 600x600 mm grid



BHUTORIA[®]

Six way cassette



BRIA[®]

Available Capacity

1.5ton/600cfm

2.0ton/800cfm

2.5ton/1000cfm

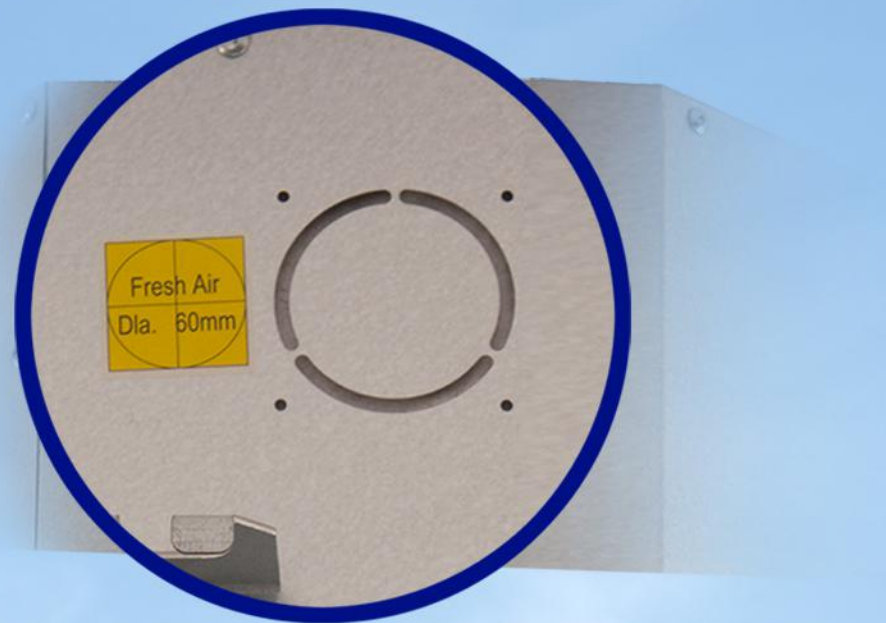


BHUTORIA[®]

Six way cassette

BRIA®

Fresh air provision

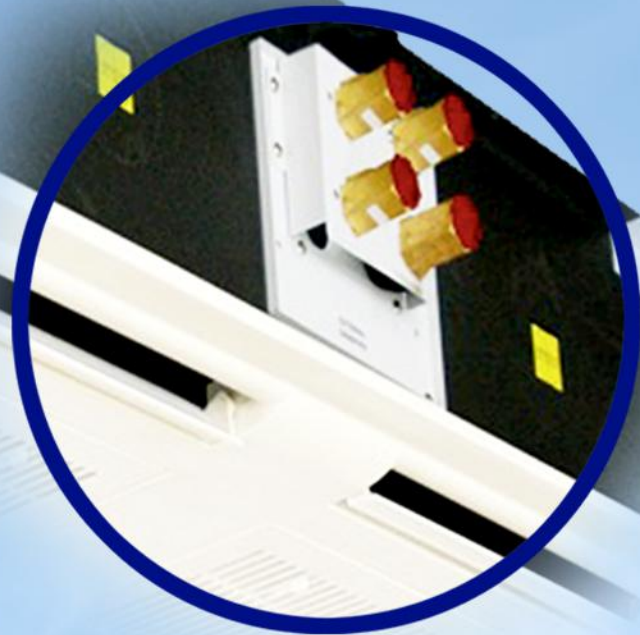


BHUTORIA

Six way cassette

BRIA®

2 pipe & 4 pipe



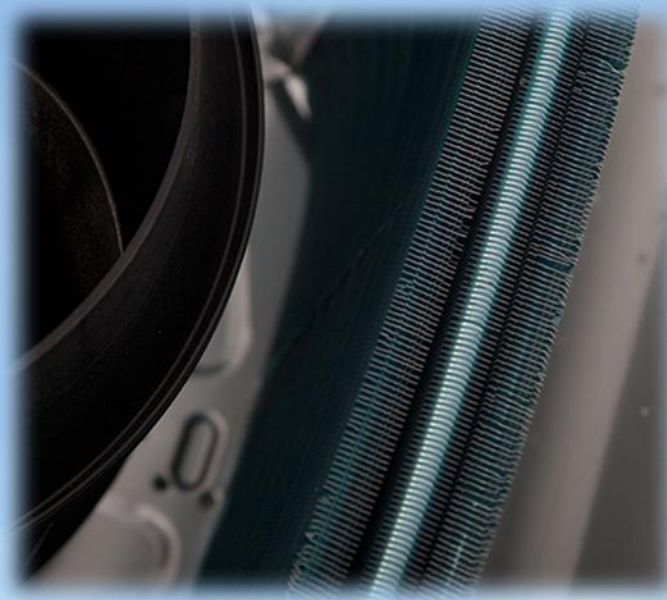
BHUTORIA

Six way cassette



BRIA[®]

2 row coil & 3 row coil options



BHUTORIA[®]

**Six
way
cassette**



BRIA[®]

**District Cooling
Design**

High Delta T coil

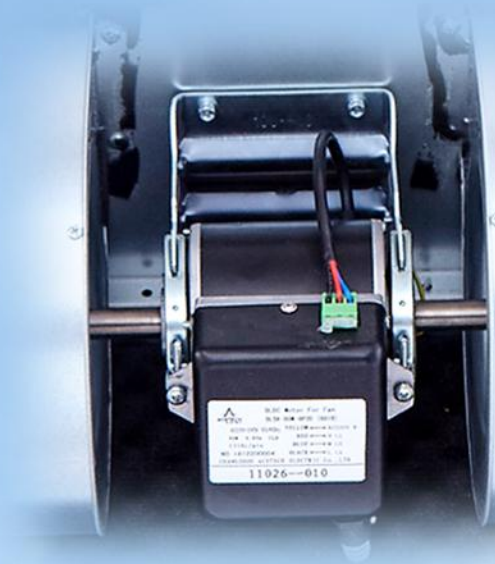


BHUTORIA[®]

Six way cassette

BRIA®

BLDC/EC Motor & AC Motor options

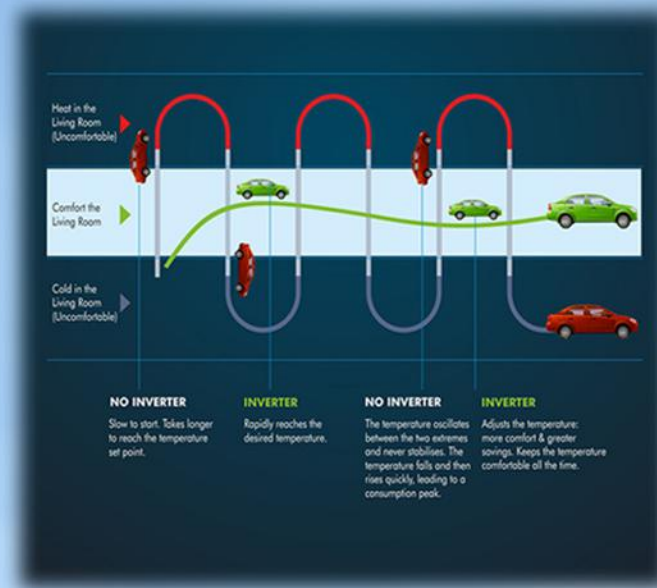


BHUTORIA

Six way cassette

BRIA®

BLDC/EC Motor & AC Motor options



BHUTORIA

Six way cassette

BRIA®

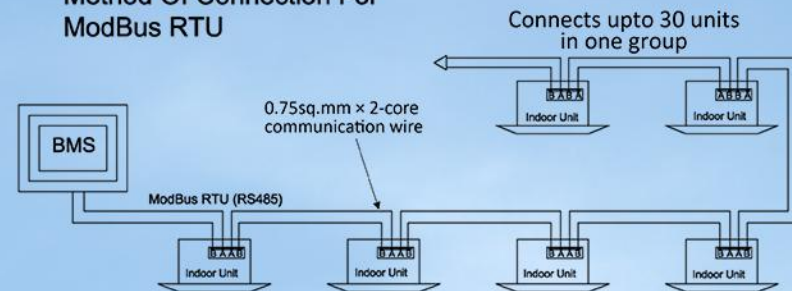
BMS Compatible



Network
Structures

1. Open ModBus Protocol

Method Of Connection For
ModBus RTU



Connects multiple such groups of 30 units per groups to BMS.
(one network adaptor is required for each unit to make it
compatible for above network structure)

BHUTORIA

Six way cassette

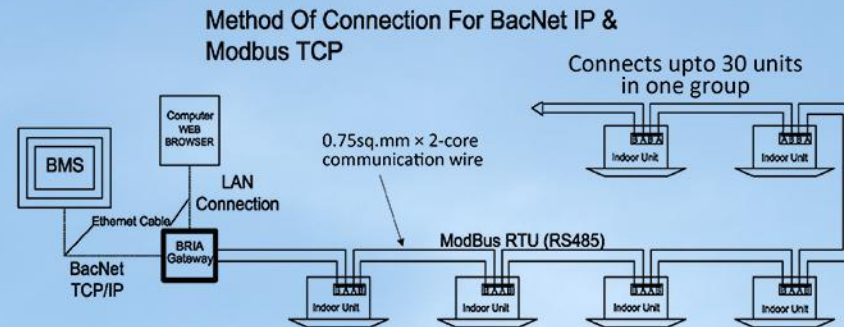
BRIA®

BMS Compatible



Network
Structures

2. BacNetIP/TCP cum Modbus TCP



Connects upto 4 groups of 30 units with one **BRIA Gateway** and further connect to your BMS system or connects to your computer and monitor using web browser **BRIA Gateway** can also be used for Modbus RTU connection for upto 3 groups of 30 units with one Gateway.
(one network adaptor is required for each unit to make it compatible for above network structure)

BHUTORIA

Six way cassette

BRIA®

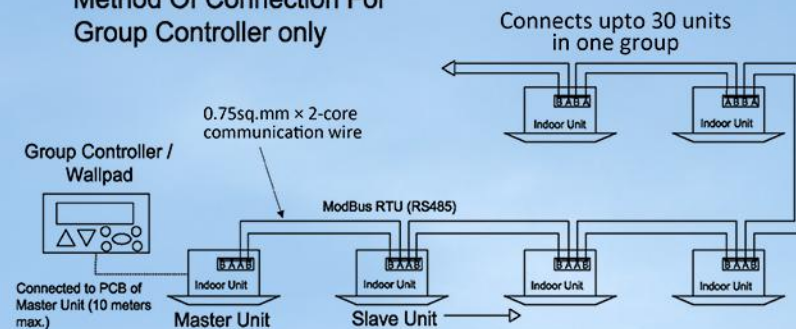
BMS Compatible



Network
Structures

3. Centralized Group Controller

Method Of Connection For
Group Controller only



Connects upto 30 units with one **Group Controller / Wallpad**, able to set parameters of individual units in one group Set temperature locking function with **Wallpad** (standard 27degC; can be changed as per requirement)

Connects **Group controller / Wallpad** with PCB of **Master unit** of the Group.
(one network adaptor is required for each unit to make it compatible for above network structure)

BHUTORIA

Six way cassette

BRIA®

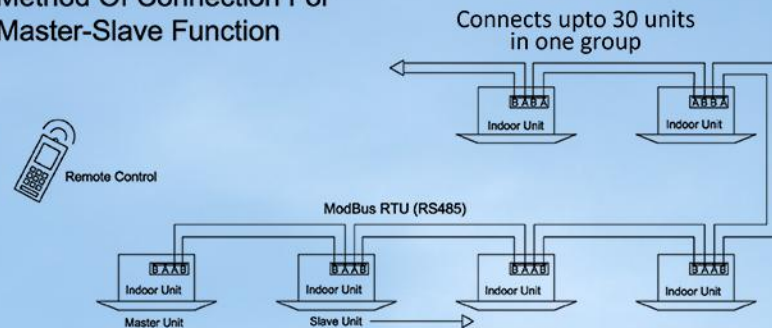
BMS Compatible



Network
Structures

4. Master-Slave Function

Method Of Connection For
Master-Slave Function



Connect upto 30 units in one group, making one unit as **Master** unit and other units as **Slave** unit.

All Slave units will follow master unit if any changes of parameter is made in master unit
(one network adaptor is required for each unit to make it compatible for above network structure)

BHUTORIA

Six way cassette

BRIA®

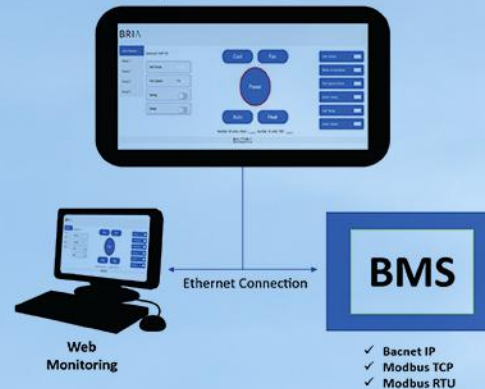
BMS Compatible



Additional Features

BRIA Touch Gateway

Group Controller + Gateway



- Gateway for **Bacnet IP**, connect upto 120 units
- Gateway for **Modbus TCP** connect upto 120 units
- Gateway for **Modbus RTU** connect upto 90 units
- Group controller with **HDMI touchscreen** and user friendly interface for individual or group control upto 120 units
- Easy **Web monitoring** with your PC, no need of any additional charges for software
- **User friendly interface** which can be customised to match your requirements
- **Get real time status** for individual unit online

BHUTORIA

Six way cassette

BRIA®

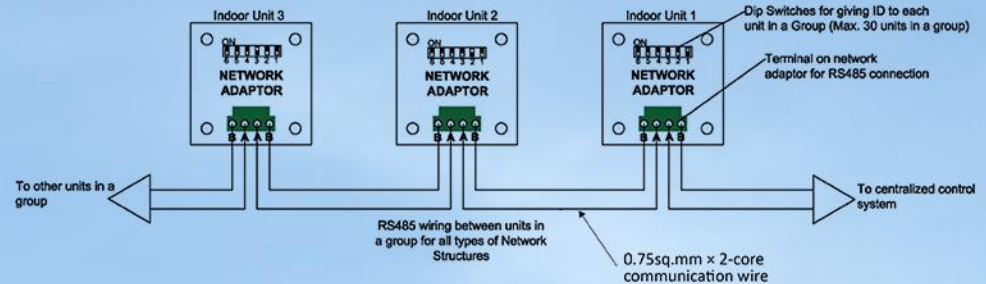
BMS Compatible



Wiring Instruction

Wiring for RS485 between units in a Group

RS485 connection between units in a group and setting ID for each unit



Above connection would be same in a group for every network structures Connects upto to 30 units in group Set each units in a group with different ID using "Dip Switches"
(one network adaptor is required for each unit in all of above network structures)

BHUTORIA

Six way cassette



BRIA®

6 way PIBC valve

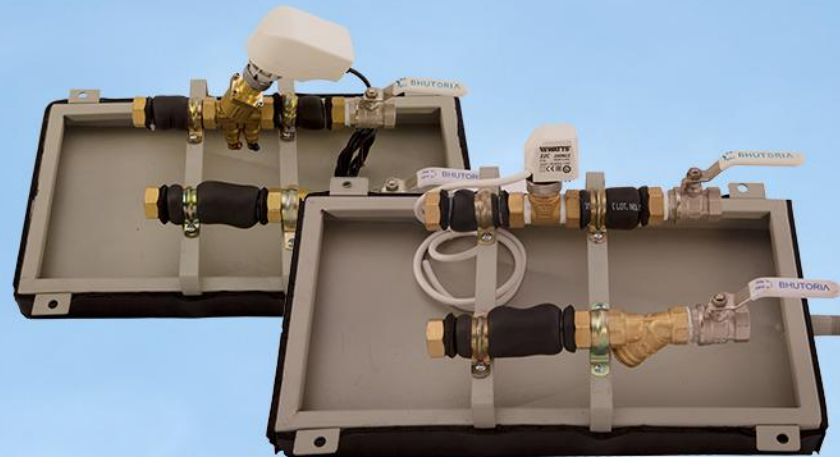


BHUTORIA

Six way cassette

BRIA®

Modulation actuator and on-off actuator



BHUTORIA

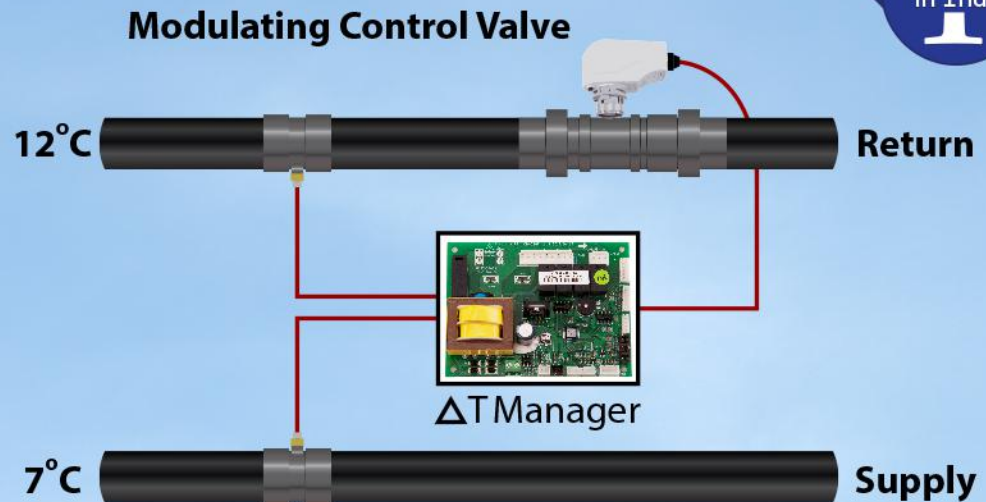
Six way cassette

BRIA[®]

Delta T manager



1st
time
in India



BHUTORIA

Six way cassette

BRIA[®]

Modulation function integrated
in the PCB inside the unit



1st
time
in India

BHUTORIA

Six way cassette



BRIA®

OSA feature (on site adjustable)



1st
time
in India

BHUTORIA

BRIA®



Typical Installation

BHUTORIA