

**4 way Cassette**

BRIA®

# Hydronic Terminal Unit

## Four way cassette

1<sup>st</sup>  
time  
in India



BHUTORIA

# Four way cassette

BRIA®

## Available Capacity

Compact : 0.75ton/300cfm  
1.00ton/400cfm  
1.25ton/500cfm



BHUTORIA

# Four way cassette



**BRIA**<sup>®</sup>

## Available Capacity

Regular : 1.5ton/600cfm  
2.0ton/800cfm



**BHUTORIA**<sup>®</sup>

# Four way cassette



**BRIA**<sup>®</sup>

## Available Capacity

Jumbo : 2.5ton/1000cfm  
3.0ton/1200cfm  
3.75ton/1400cfm

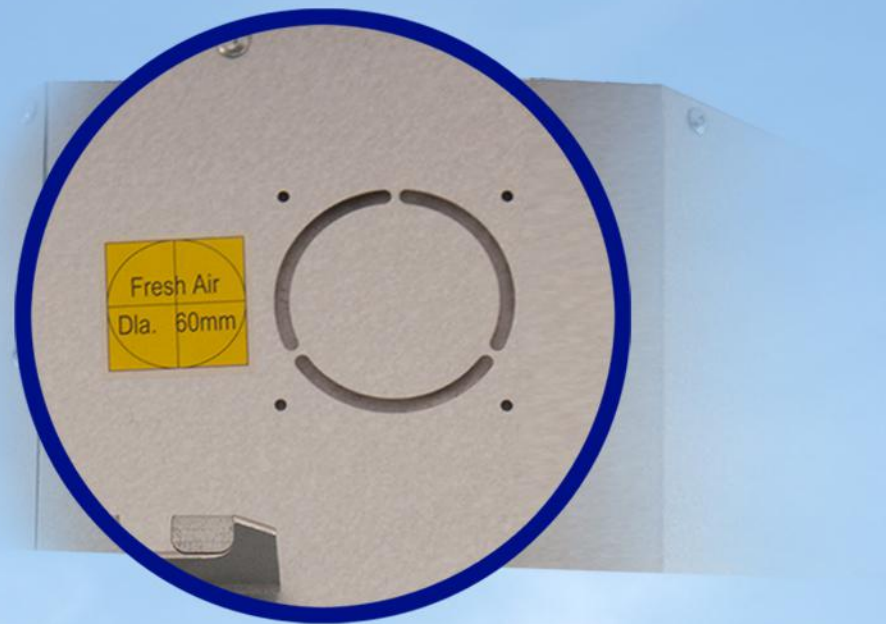


**BHUTORIA**

# Four way cassette

BRIA®

## Fresh air provision

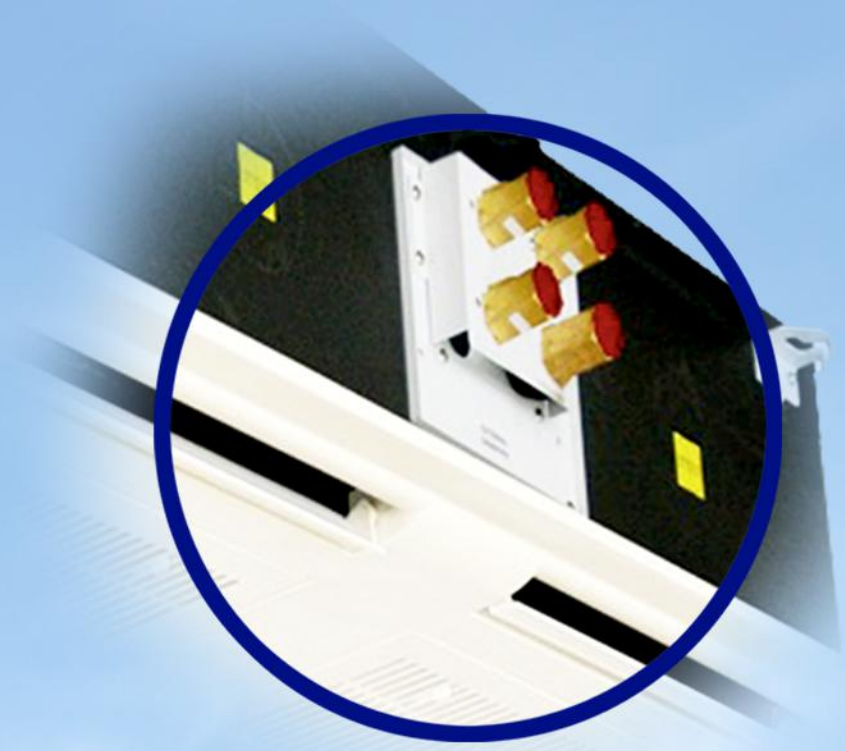


BHUTORIA

# Four way cassette

BRIA®

2 pipe & 4 pipe



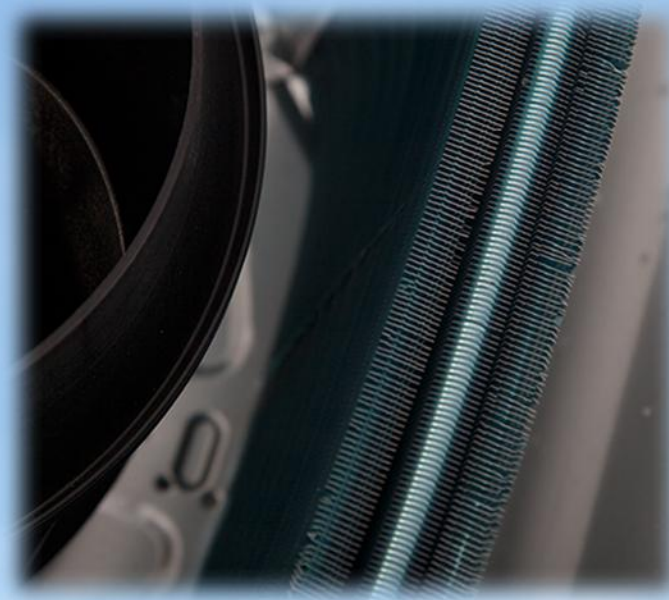
BHUTORIA

# Four way cassette



**BRIA**<sup>®</sup>

**2 row coil &  
3 row coil options**



**BHUTORIA**<sup>®</sup>



Four  
way  
cassette



BRIA<sup>®</sup>

District Cooling  
Design

High Delta T coil

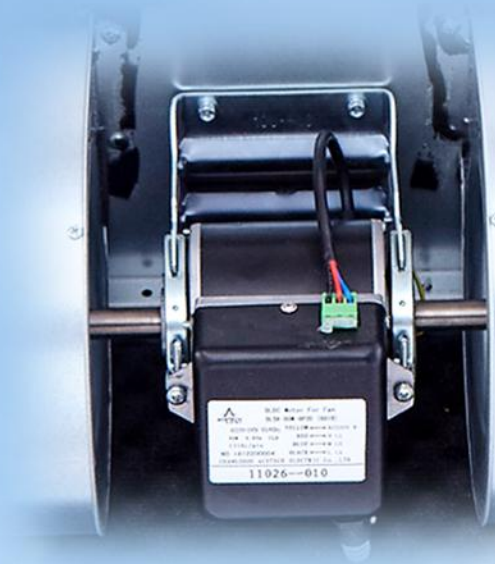


BHUTORIA

# Four way cassette

BRIA®

## BLDC/EC Motor & AC Motor options

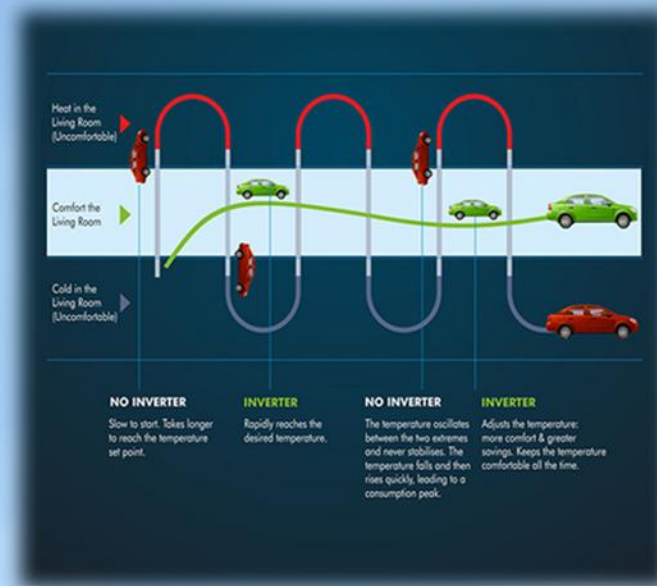


BHUTORIA

# Four way cassette

BRIA®

## BLDC/EC Motor & AC Motor options



BHUTORIA

# Four way cassette

BRIA®

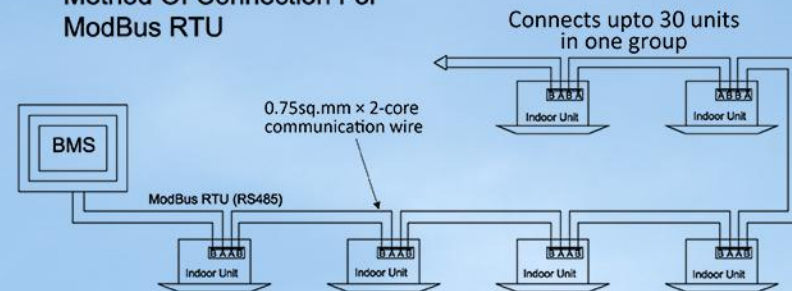
## BMS Compatible



Network Structures

### 1. Open ModBus Protocol

Method Of Connection For ModBus RTU



Connects multiple such groups of 30 units per groups to BMS.  
*(one network adaptor is required for each unit to make it compatible for above network structure)*

BHUTORIA



# Four way cassette

BRIA®

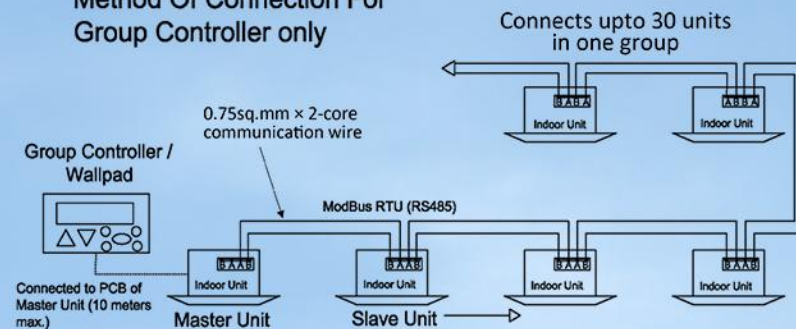
## BMS Compatible



Network Structures

### 3. Centralized Group Controller

Method Of Connection For Group Controller only



Connects upto 30 units with one **Group Controller / Wallpad**, able to set parameters of individual units in one group Set temperature locking function with **Wallpad** (standard 27degC; can be changed as per requirement)

Connects **Group controller / Wallpad** with PCB of **Master unit** of the Group.  
*(one network adaptor is required for each unit to make it compatible for above network structure)*

BHUTORIA

# Four way cassette

BRIA®

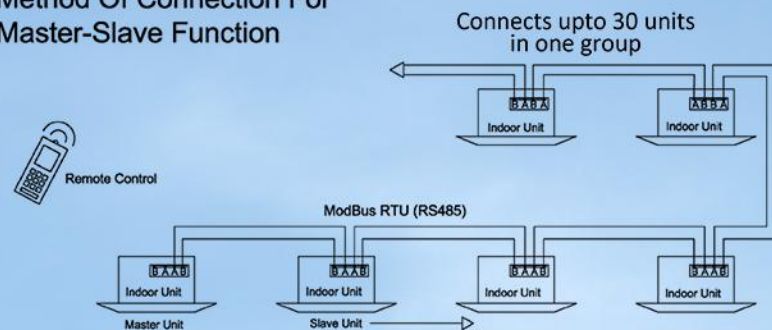
## BMS Compatible



Network  
Structures

### 4. Master-Slave Function

Method Of Connection For  
Master-Slave Function



Connect upto 30 units in one group, making one unit as **Master** unit and other units as **Slave** unit.

All Slave units will follow master unit if any changes of parameter is made in master unit  
(one network adaptor is required for each unit to make it compatible for above network structure)

BHUTORIA

# Four way cassette

# BRIA®

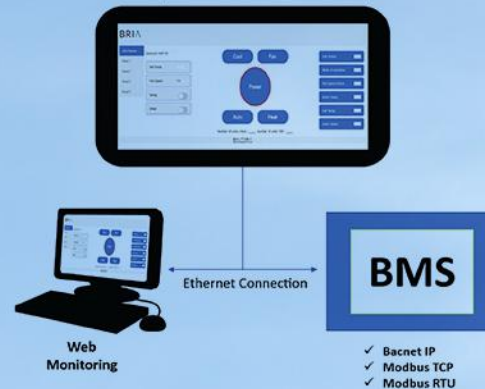
## BMS Compatible



### Additional Features

### BRIA Touch Gateway

#### Group Controller + Gateway



- Gateway for **Bacnet IP**, connect upto 120 units
- Gateway for **Modbus TCP** connect upto 120 units
- Gateway for **Modbus RTU** connect upto 90 units
- Group controller with **HDMI touchscreen** and user friendly interface for individual or group control upto 120 units
- Easy **Web monitoring** with your PC, no need of any additional charges for software
- **User friendly interface** which can be customised to match your requirements
- **Get real time status** for individual unit online

# BHUTORIA



# Four way cassette

BRIA®

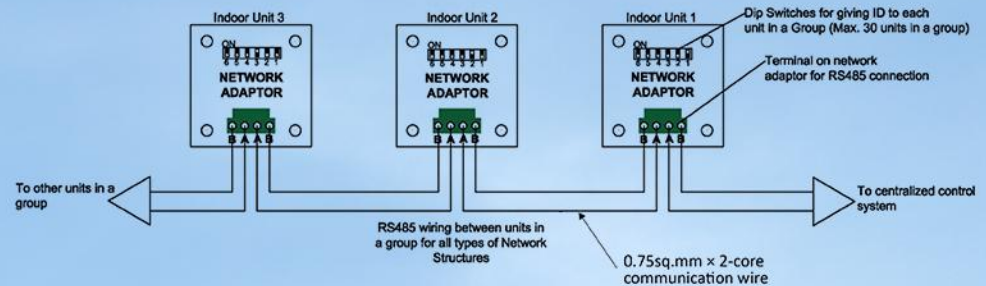
## BMS Compatible



### Wiring Instruction

### Wiring for RS485 between units in a Group

RS485 connection between units in a group and setting ID for each unit



Above connection would be same in a group for every network structures Connects upto to 30 units in group Set each units in a group with different ID using "Dip Switches"  
*(one network adaptor is required for each unit in all of above network structures)*

BHUTORIA

# Four way cassette

BRIA®

## In-built drain pump



BHUTORIA

# Four way cassette



BRIA®

## Valve package assembly

- 2 way control valve
- 3 way control valve
- 2 way PIBCV
- 6 way PIBCV

BHUTORIA

# Four way cassette



BRIA®

# 6 way PIBC valve



BHUTORIA

# Four way cassette

BRIA®

## Modulation actuator and on-off actuator



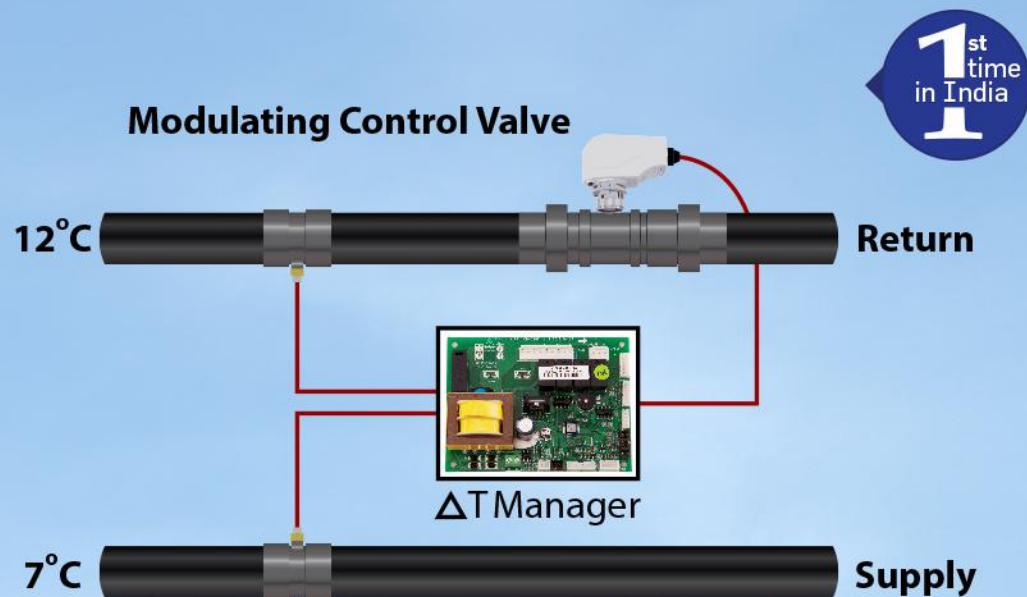
BHUTORIA

# Four way cassette



BRIA®

## Delta T manager



BHUTORIA

# Four way cassette

BRIA®

Modulation function integrated  
in the PCB inside the unit



1<sup>st</sup>  
time  
in India

BHUTORIA

# Four way cassette



BRIA®

OSA feature  
(on site adjustable)



1<sup>st</sup>  
time  
in India

BHUTORIA



BRIA®



# Typical Installation

BHUTORIA



# Typical Installation

BRIA®



Typical Installation

BHUTORIA