

**2 way Cassette**

BRIA®

# Hydronic Terminal Unit

Two way cassette

1<sup>st</sup>  
time  
in India



BHUTORIA

# Two way cassette



BRIA®

## Available Capacity

Mini : 0.75ton/300cfm  
1.00ton/400cfm



BHUTORIA

# Two way cassette



BRIA<sup>®</sup>

## Available Capacity

Regular : 1.5ton/600cfm  
2.0ton/800cfm



BHUTORIA

# Two way cassette



BRIA<sup>®</sup>

## Available Capacity

Jumbo : 2.5ton/1000cfm  
3.0ton/1200cfm

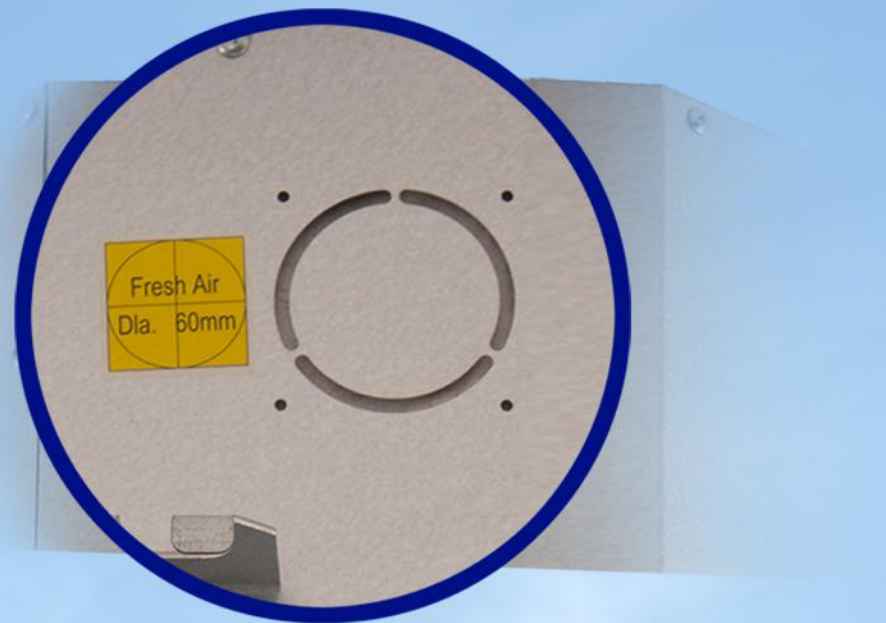


BHUTORIA

# Two way cassette

BRIA®

## Fresh air provision

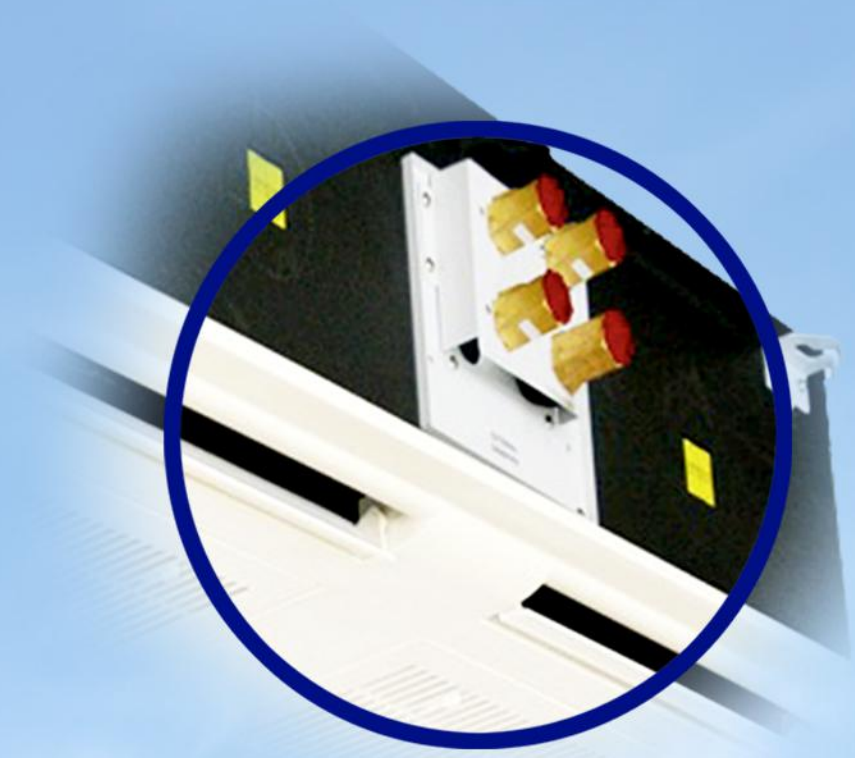


BHUTORIA

# Two way cassette

BRIA<sup>®</sup>

2 pipe & 4 pipe

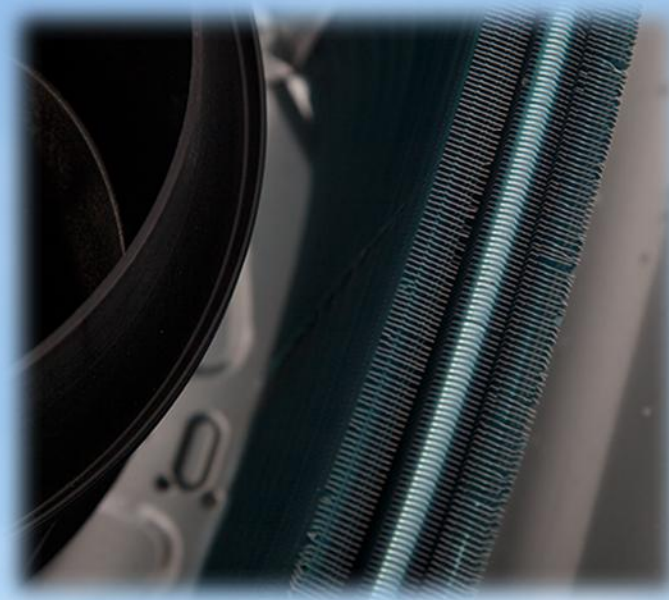


BHUTORIA

# Two way cassette

BRIA®

## 2 row coil & 3 row coil options



BHUTORIA



Two  
way  
cassette



BRILA<sup>®</sup>

District Cooling  
Design

High Delta T coil



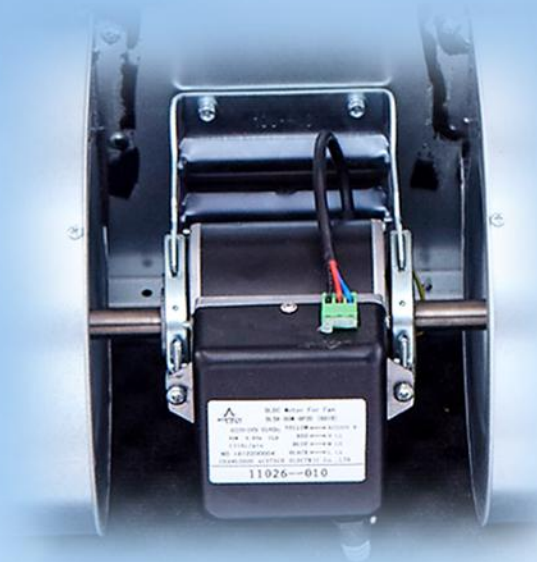
BHUTORIA

# Two way cassette



BRIA®

## BLDC/EC Motor & AC Motor options

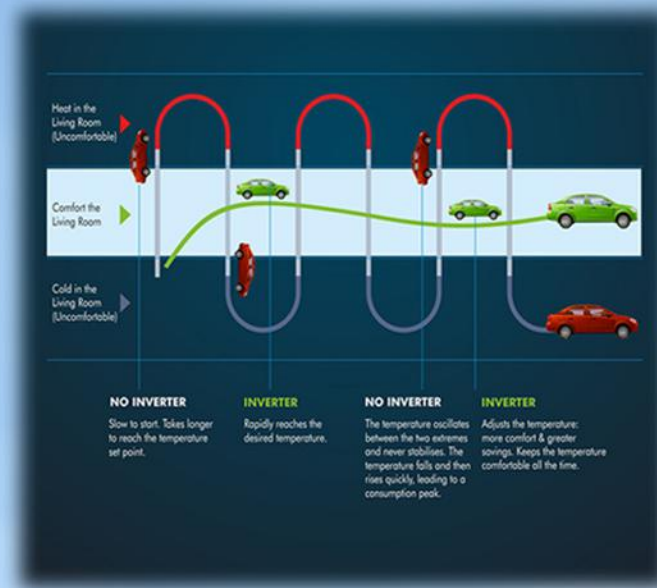


BHUTORIA

# Two way cassette

BRIA®

## BLDC/EC Motor & AC Motor options



BHUTORIA

# Two way cassette

BRIA®

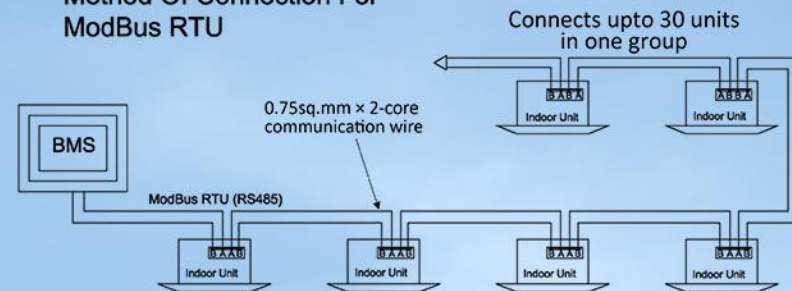
## BMS Compatible



Network  
Structures

### 1. Open ModBus Protocol

Method Of Connection For  
ModBus RTU



Connects multiple such groups of 30 units per groups to BMS.  
*(one network adaptor is required for each unit to make it compatible for above network structure)*

BHUTORIA

# Two way cassette

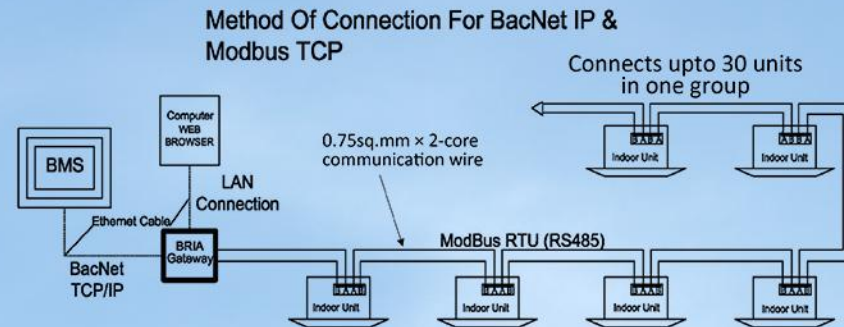
BRIA®

## BMS Compatible



Network  
Structures

### 2. BacNetIP/TCP cum Modbus TCP



Connects upto 4 groups of 30 units with one **BRIA Gateway** and further connect to your BMS system or connects to your computer and monitor using web browser **BRIA Gateway** can also be used for Modbus RTU connection for upto 3 groups of 30 units with one Gateway.  
*(one network adaptor is required for each unit to make it compatible for above network structure)*

BHUTORIA

# Two way cassette

BRIA®

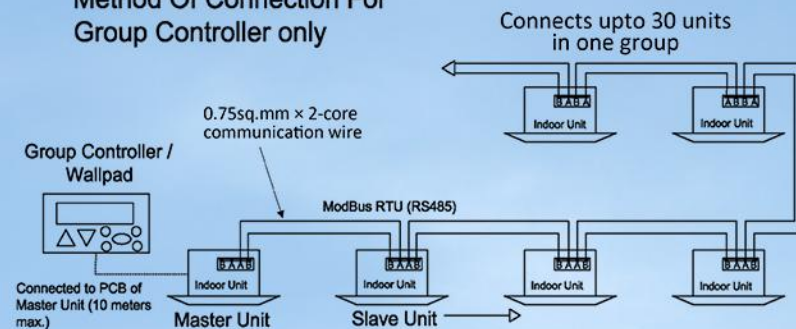
## BMS Compatible



Network  
Structures

### 3. Centralized Group Controller

Method Of Connection For  
Group Controller only



Connects upto 30 units with one **Group Controller / Wallpad**, able to set parameters of individual units in one group Set temperature locking function with **Wallpad** (standard 27degC; can be changed as per requirement)

Connects **Group controller / Wallpad** with PCB of **Master unit** of the Group.  
*(one network adaptor is required for each unit to make it compatible for above network structure)*

BHUTORIA

# Two way cassette

BRIA®

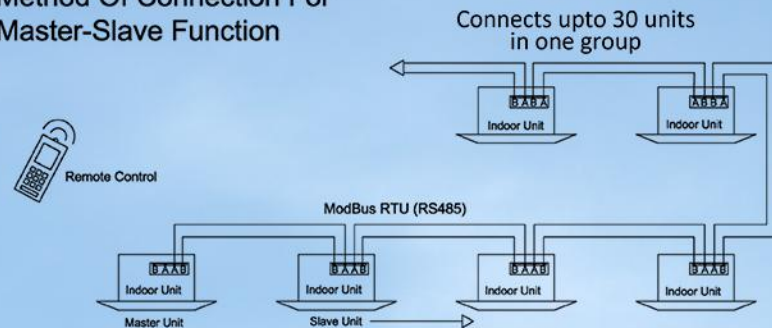
## BMS Compatible



Network  
Structures

### 4. Master-Slave Function

Method Of Connection For  
Master-Slave Function



Connect upto 30 units in one group, making one unit as **Master** unit and other units as **Slave** unit.

All Slave units will follow master unit if any changes of parameter is made in master unit  
(one network adaptor is required for each unit to make it compatible for above network structure)

BHUTORIA

# Two way cassette

# BRIA®

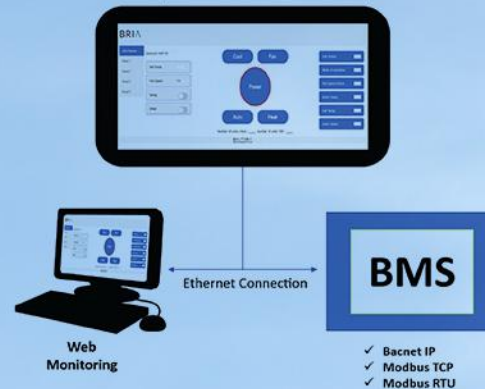
## BMS Compatible



### Additional Features

### BRIA Touch Gateway

#### Group Controller + Gateway



- Gateway for **Bacnet IP**, connect upto 120 units
- Gateway for **Modbus TCP** connect upto 120 units
- Gateway for **Modbus RTU** connect upto 90 units
- Group controller with **HDMI touchscreen** and user friendly interface for individual or group control upto 120 units
- Easy **Web monitoring** with your PC, no need of any additional charges for software
- **User friendly interface** which can be customised to match your requirements
- **Get real time status** for individual unit online

# BHUTORIA



# Two way cassette

BRIA®

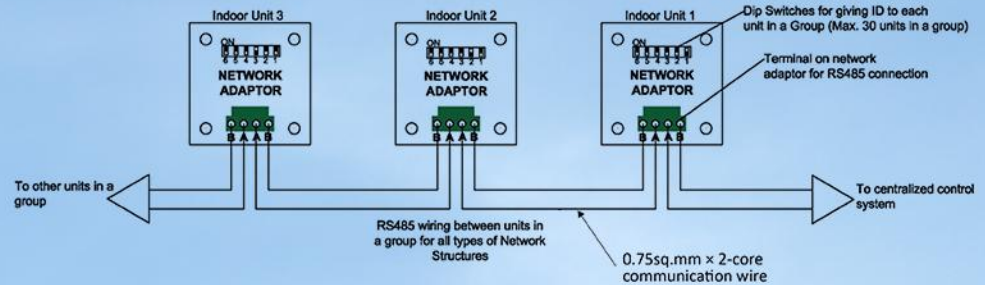
## BMS Compatible



### Wiring Instruction

### Wiring for RS485 between units in a Group

RS485 connection between units in a group and setting ID for each unit



Above connection would be same in a group for every network structures Connects upto to 30 units in group Set each units in a group with different ID using "Dip Switches"  
*(one network adaptor is required for each unit in all of above network structures)*

BHUTORIA

# Two way cassette

BRIA®

## In-built drain pump



BHUTORIA

# Two way cassette



BRIA®

## Valve package assembly

- 2 way control valve
- 3 way control valve
- 2 way PIBCV
- 6 way PIBCV

BHUTORIA

# Two way cassette



BRIA®

# 6 way PIBC valve

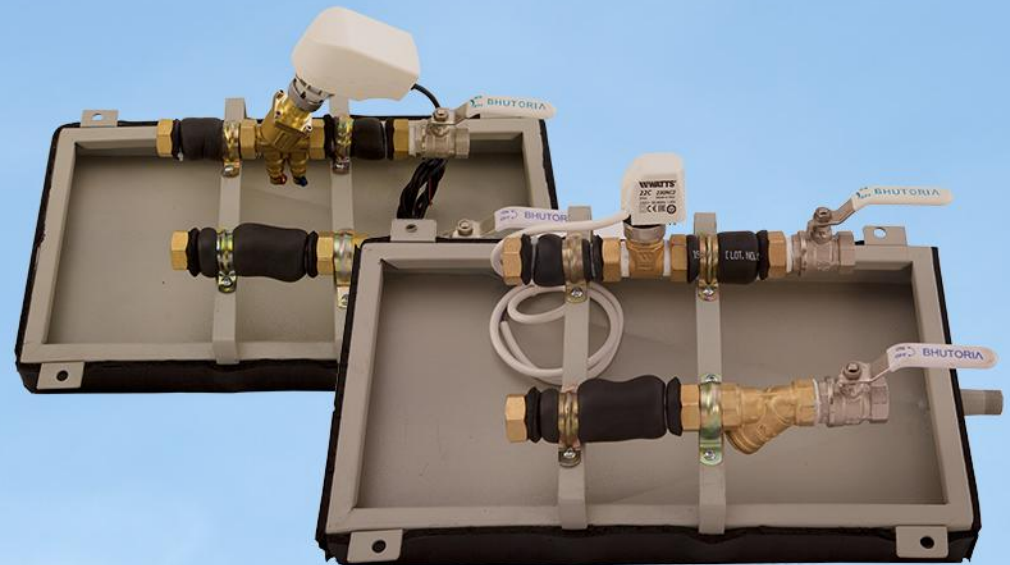


BHUTORIA

# Two way cassette

BRIA®

## Modulation actuator and on-off actuator



BHUTORIA

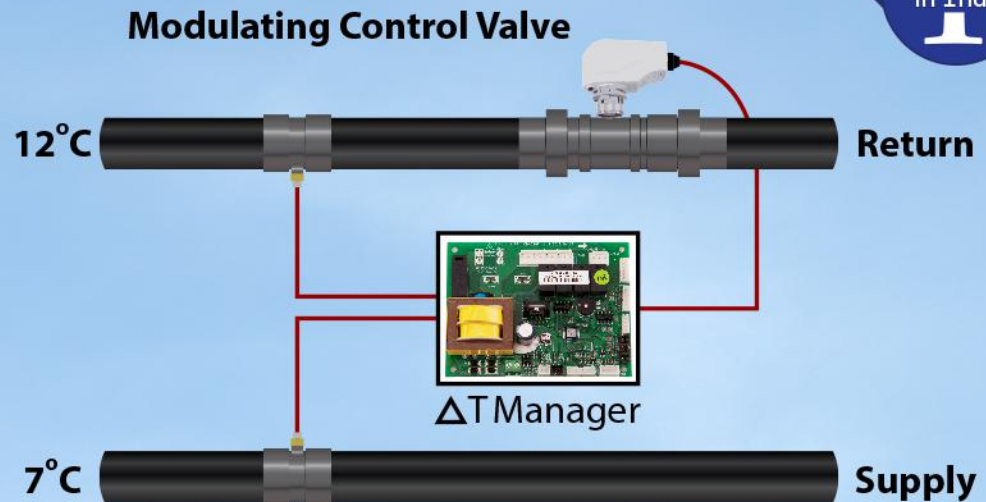
# Two way cassette

BRIA®

## Delta T manager



1<sup>st</sup>  
time  
in India



BHUTORIA

# Two way cassette

BRIA®

Modulation function integrated  
in the PCB inside the unit



1<sup>st</sup>  
time  
in India

BHUTORIA

# Two way cassette



BRILA®

## OSA feature (on site adjustable)



1<sup>st</sup>  
time  
in India

BHUTORIA





Typical Installation



Typical Installation